

ANDROID (non)TOUCH DISPLAYS

AVAILABLE SIZES:
7 - 8 - 10 - 14 - 15.6 - 18.5 - 21.5 - 24 -
27 - 32 - 43 - 55inch



RETAIL BUSINESS

Android Displays for use in a commercial environment. These displays have a rooted Android operating system and can be used for several solutions to inform and advise people in an attractive way, 24-7.

ONLINE MODELS

Often used in retail displays and built-in ShopDisplays or in Public environments.



TOUCH & PANEL

- 10 points capacitive touch
- Optional: non touch panel
- 18,5inch High Resolution Panel 1920x1080 pixels



ANDROID CHIP & OS VERSIONS

- RK3288 with Android OS 8 or 10
- RK3399 with Android OS 9, 10 and 12
- RK3568 with Android OS 11



ADDITIONAL FEATURES:

- PoE: Power over Ethernet (8 to 21.5inch)
- NFC & RFID (optional)
- Triggering: pushbuttons, sensors
- LED light: external lightstrips

Note:

There is no signage software installed, please provide your own software or we can provide dedicated signage software.

ANDROID ROOTED

All our models have Rooted Android. The OS system can be adjusted according your needs.

YOUR SOFTWARE

We can pre-install your software apps on the Android OS. We can also make your OS image custommade, with your startup logo.



Easy hangup system at backside (VESA Screw holes plate)



AutoStart by plug in power adapter



WIFI and LAN for internet connection (optional SIM USB dongle)

Certifications:



SOFTWARE OPTIONS

ADD: YOUR SOFTWARE

We can pre-install your software apps on the Android OS. We can also make your OS image custommade, with your startup logo.

ADD: SIGNAGE SOFTWARE

We can provide software apps on the Android OS. Find some suggestions below:

KIOWARE: Lockdown your website or your app (kiosk mode)

FULLY VIDEO: AutoStart App loop video from USB & Internal Memory

FULLY WEBSITE: Lockdown your website in full screen mode

ICHANNEL: Remote controlled pushed presentations with web-based control system (CMS). Create in the CMS presentations and schedule them, online.

ROOM & DESK SHARING: Roombooking and Desk Sharing software

Optional: add external Triggers & Sensors for Video Acti-

Customized Android displays to connect triggers for video & volume activation:

- Metal or plastic pushbuttons with lightring and symbol
- Touchless sensor buttons (wave your hand above the sensor)
- RFID Sensors for "Lift and Learn"
- RFID Sensors for scanning a product with RFID sticker
- Motion detection sensors
- Light Sensors detection area



Optional: add (Interactive) LED Light strips and panels

Customized Android displays to connect LED lightning:

- LED strips or LED Panel Light up your product
- Light up a product during an activated video
- Light up a brand logo in a retail display
- Different colors available



SPECIFICATIONS:

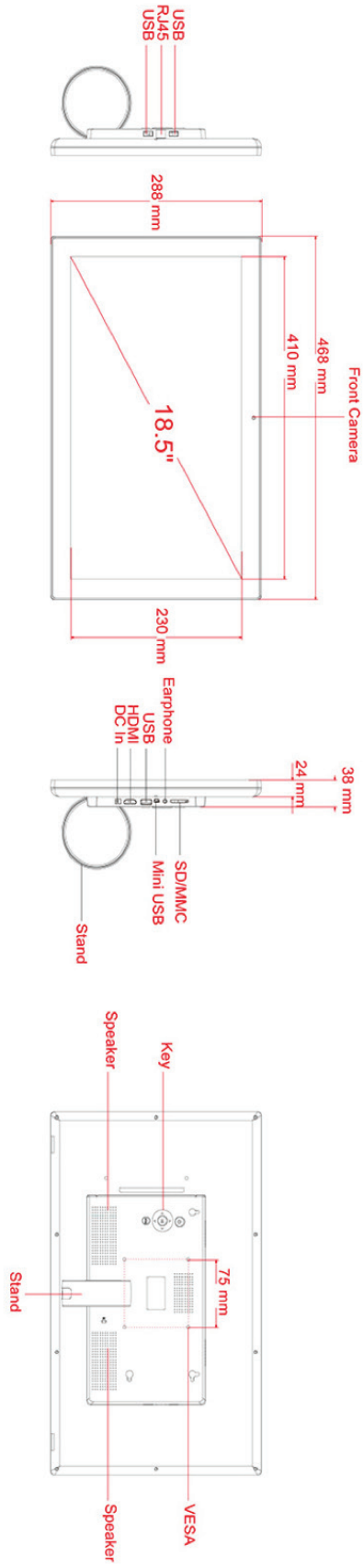
System	CPU	RK3399 Dual-core A72+quad-core A53
	RAM	2GB Optional 4GB
	Internal memory	16GB Optional 32GB/64G
	Operation System	Android 7.1/10.0
	Touch	10-Point capacitive touch
Display	Panel	18.5"LCD HD panel
	Resolution	1920*1080
	Viewing angle	85/85/85/85 (L/R/U/D)
	Display mode	Normally black
	Contrast ratio	800
	Luminance	250cdm2
	Aspect Ratio	16:9
Network	WiFi	802.11a/b/g/n/ac
	Ethernet	10M/100M/1000M
	Bluetooth	Bluetooth 4.2
Interface	Card slot	SD,support up to 64GB
	Mini USB	USB OTG
	USB	USB Host 3.0
	USB	USB host 2.0*2
	Power Jack	DC power input
	RJ45	Ethernet interface
	HDMI	HDMI output
	Earphone	3.5mm earphone
Media plays	Video format	MPEG-1,MPEG-2,MPEG-4,H.265,H.264,VC-1,VP8,VP9, etc.,support up to 4K
	Audio format	MP3/WMA/AAC etc.
	Photo	jpeg
	Speaker	2*3W
	Camera	Routine angle 2.0MP
	Micphone	Single microphone
	VESA	75x75mm
	Language	Multi-language
	Working temp	0-40 degree
	Certificates	ce/fcc
	Accessories	Adapter
User manual		yes
Stand		yes

Product Measurement, mm

Unit (Without packaging)			Giftbox (With Packaging)			Carton 3pcs/CTN		
L	W	H	L	W	H	L	W	H
Net(kg)	KG		Net(kg)	KG		Net	KG	
						G.W	KG	



DRAWING:

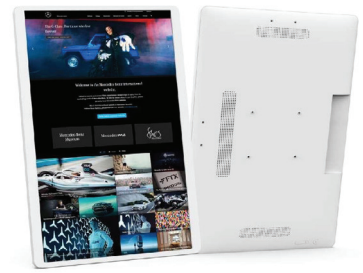


OTHER MODEL TYPES

OPEN FRAME



NARROW BEZEL



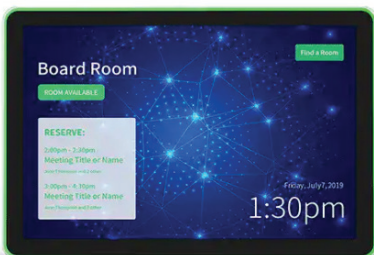
STRETCHED LCD



DESK SHAPE



ROOM BOOKING



HEALTH CARE



FLOOR KIOSK



HANGING LCD

