

D

D

C

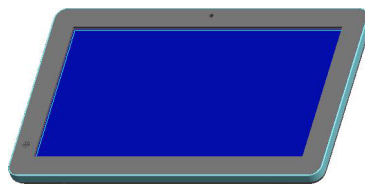
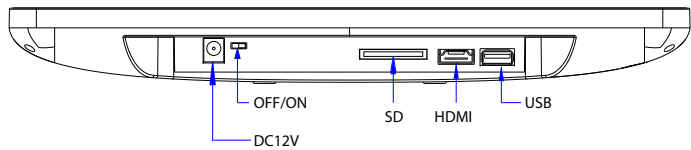
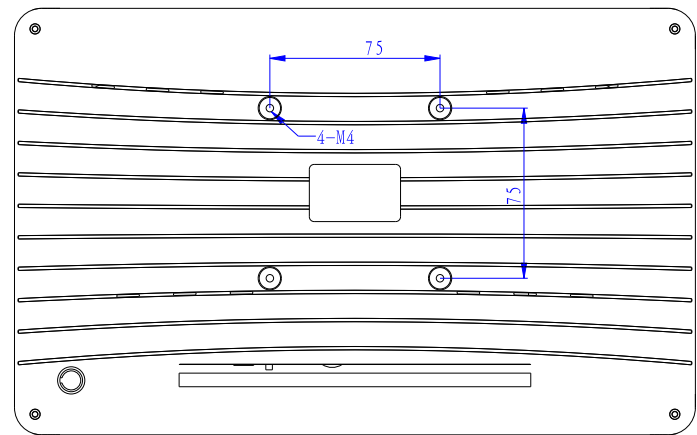
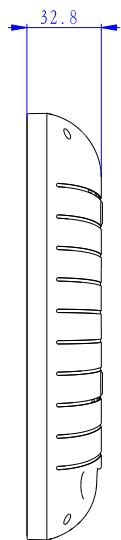
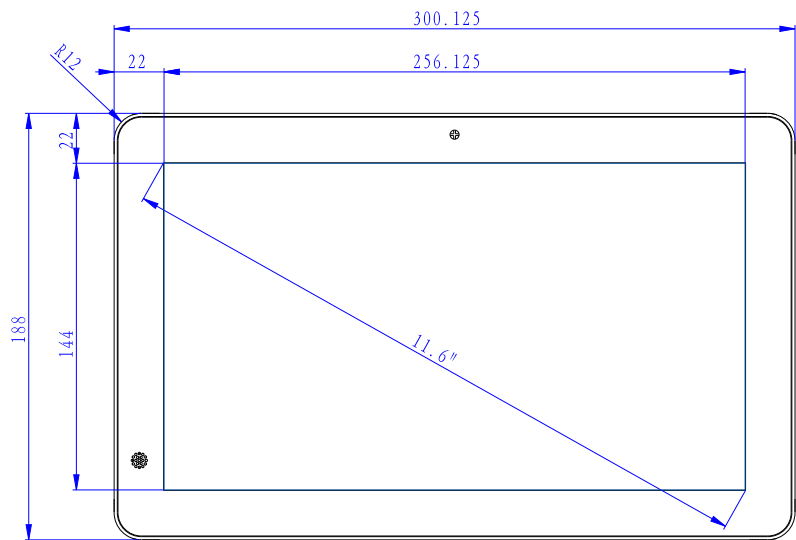
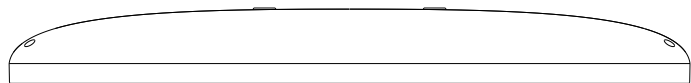
C

B

B

A

A



	NEW	张建	2016-08-19
NO.	DESCRIPTION	NAME	DATE

GENERAL TOLERANCE				UNITS:	SCALE:	THIRD ANGLE
ANGLE: 0.5° DECIMAL: ±				mm	1:1	
≥0-10	0.05	0.10	0.20	TITLE:	MODEL:	DRAWING NO.
≥10-200	0.10	0.20	0.40	DRAWN:	AC-116PH-IPS-T-HD-XML	APPROVAL:
≥200	0.20	0.40	0.80		CHECKED:	
SHEET: 1 OF 1				张建		