



## MEETING ROOM

RoomBooking screen for reservation & occupation status + Digital Signage features (f.i. logos and videos). Occupation status is indicated OnScreen and LedLight color at the sides.

## ONLINE MODELS

Reservation via Google Calendar, i-Cal Outlook



### TOUCH & PANEL

- 10 points capacitive touch (or non touch panel)
- 10.1" High Resolution Panel 1280x800 pixels
- 24-7 Usage
- Availabe sizes: 10.1 - 13.3 - 15.6inch



### ANDROID CHIP & OS VERSIONS

- RK3568 with Android OS 11 or 13
- RK3576S with Android OS 14



### ADDITIONAL FEATURES:

- PoE: Power over Ethernet (8 to 21.5inch)
- NFC & RFID (optional)
- Triggering: pushbuttons, sensors
- LED light: external lightstrips

**Note:** There is no roombooking software installed, please provide your own software or we can provide software.

## ANDROID ROOTED

All our models have Rooted Android. The OS system can be adjusted according your needs.

## YOUR SOFTWARE

We can pre-install your software apps on the Android OS. We can also make your OS image custommade, with your startup logo.



Easy hangup system at backside (VESA Screw holes plate)



AutoStart by plug in power adapter



WIFI and LAN for internet connection (optional SIM USB dongle)

### Certifications:



## SOFTWARE OPTIONS

### ADD: YOUR SOFTWARE

We can pre-install your software apps on the Android OS. We can also make your OS image custommade, with your startup logo.

### ADD: SIGNAGE SOFTWARE

We can provide software apps on the Android OS. Find some suggestions below:

**KIOWARE:** Lockdown your website or your app (kiosk mode)

**FULLY VIDEO:** AutoStart App loop video from USB & Internal Memory

**FULLY WEBSITE:** Lockdown your website in full screen mode

**SIGN CONTROLL:** Remote controlled pushed presentations with web-based control system (CMS). Create in the CMS presentations and schedule them, online.

**ROOM & DESK SHARING:** Roombooking and Desk Sharing software

## Optional: add external Triggers & Sensors for Video Acti-

### Customized Android displays to connect triggers for video & volume activation:

- Metal or plastic pushbuttons with lightring and symbol
- Touchless sensor buttons (wave your hand above the sensor)
- RFID Sensors for "Lift and Learn"
- RFID Sensors for scanning a product with RFID sticker
- Motion detection sensors
- Light Sensors detection area



## Optional: add (Interactive) LED Light strips and panels

### Customized Android displays to connect LED lightning:

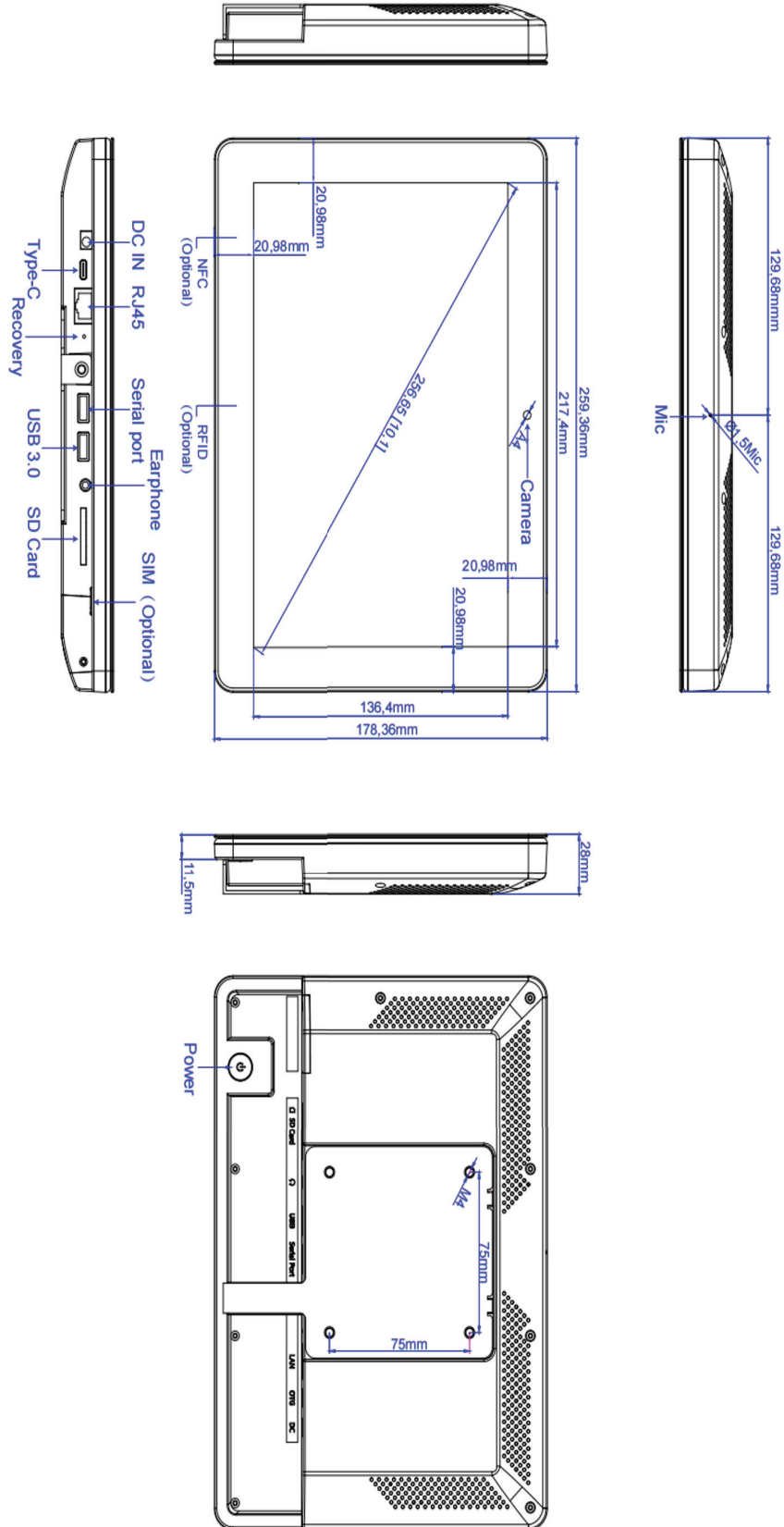
- LED strips or LED Panel Light up your product
- Light up a product during an activated video
- Light up a brand logo in a retail display
- Different colors available

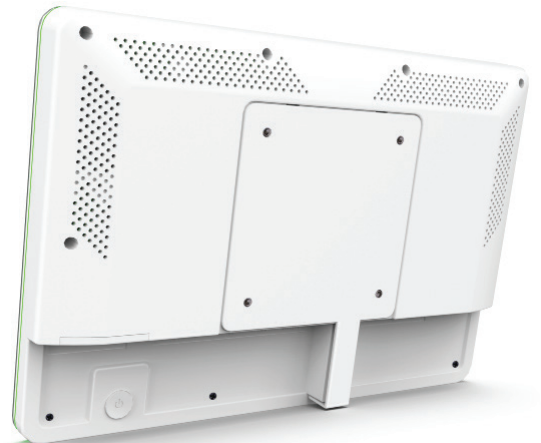
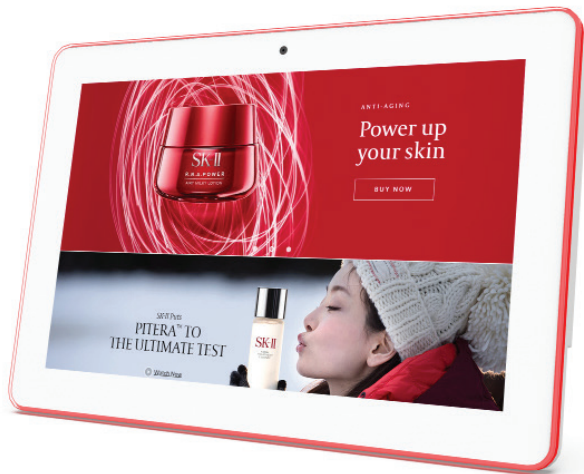
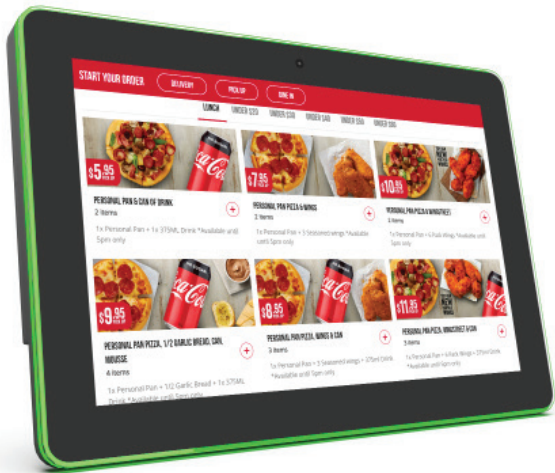


# SPECIFICATIONS:

<b>System</b>	CPU	RK3576S Quad core cortex A53+Quad core cortex A72
	RAM	4GB
	Internal memory	32GB
	Operation system	Android 14
	Touch screen	10-Point capacitive touch
<b>Display</b>	Panel	10.1"LCD panel
	Panel Type	IPS
	Resolution	1280*800
	Display Colors	16.7M Colors
	Viewing angle	R/L 85/85, U/D 85/85
	Display mode	Normally black
	Contrast ratio	1500:1
	Response Time	25ms
	Back-light Type	ELed
	Luminance	280cd/m2
	Aspect Ratio	16:10
<b>Network</b>	WiFi	IEEE 802.11a/b/g/n/ac/ax
	Buletooth	Bluetooth 5.4
	Ethernet	10M/100M/1000M ethernet
<b>Interface</b>	SIM Slot	4G Flow Card
	SD Slot	SD card ,Max support to 64GB
	Earphone	3.5mm earphone + Microphone
	USB	USB 3.0 host
	USB	USB for serial (TTL Level) , Optional USB Host
	RJ45	Ethernet interface
	Type-C	Only supports ADB function
Power jack	DC power input	
<b>Media play</b>	Video format	MPEG-1,MPEG-2,MPEG-4,H.265,H.264,VP9,AV1, AVS2,MVC,AVC ,etc., support up to 8K@30fps
	Audio format	MP3/WMA/AAC/WAV/OGG, etc
	Photo	JPEG/PNG/GiF,etc
<b>Other</b>	Product Colors	White/Black
	VESA	75*75 mm
	Button	Power
	G-sensor	Support 90 degrees
	Speaker	2*2W
	Microphone	Single microphone
	NFC	Optional, 13.56MHz, ISO/IEC 18092, ISO/IEC 21481, ISO/IEC 14443 A&B, ISO/IEC 15693,
	RFID	Optional,125k,ISO/IEC 11784/11785, EM4100, TK4100/GK4100
	LED light bar	LED light bar with RGB and mixed color
	Camera	Routine angle 5.0MP with mipi
	4G Moduel	Optional
	Language	Multi-language
	Certificates	CCC/CE/FCC
POE	Optional (Support IEEE802.3at,up to 30W )	
<b>Working Surrounding</b>	Working Temperature	0℃—40℃
	Storage Temperature	-20℃—60℃
	Working Humidity	20~80%RH
	Storage Humidity	10~95%RH
<b>Accessories</b>	Adapter	Adapter,12V/1.5A
	User manual	*1

## DRAWING:







## OTHER MODEL TYPES

### OPEN FRAME



### NARROW BEZEL



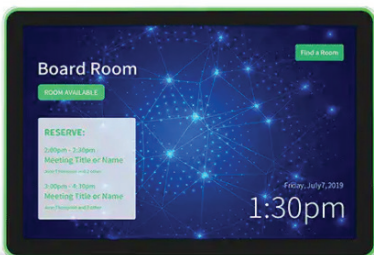
### STRETCHED LCD



### DESK SHAPE



### ROOM BOOKING



### HEALTH CARE



### FLOOR KIOSK



### HANGING LCD

